

# HBM 150/2 L-801 Airport Rotating Beacon

Compliant with Standards:

FAA: L-801 AC 150/5345-12 (Current Edition)

ICAO: Annex 14, para 5.3.3

***This Hali-Brite beacon is designed for night operation as an identification and location marker for airports.***



## Benefits

- Patented belt-drive system eliminates the lubrication required by conventional gear-drive beacons (U.S. Pat. 5,339,224)
- Patented liquid-filled lamp connector, eliminating the slip rings and brushes found on conventional beacons (U.S. Pat. 5,816,678)
- Two 13,000 lumen, 150 watt pulse-start metal-halide lamps
- 10,000 hour typical lamp life (2-3 years)
- One clear lens, one aviation green lens
- No maintenance except lamp replacement
- All moving parts are permanently lubricated
- Impedance-protected motor eliminates burnouts
- Lamps preset 5° above horizontal, adjustable
- 12 RPM rotation, 24 flashes/minute
- Weatherproof steel cabinet, powder coated international orange
- Class I temperature range: -30 to +55 °C (-22 to +131 °F)
- Class II temperature range: -55 to +55 °C (-67 to +131 °F)
- Tested to wind velocities of 100 mph
- Optional photocell and/or tell-tale relay
- Mountable on a Hali-Brite Tipdown Pole
- Power Consumption: 395W Class I, 795W Class II
- Manufactured in the USA



Beacon Tipdown Pole

## Ordering Information

Part Number	Description
L-801A1116	120 VAC, 60 Hz, Class I
L-801A1125	220-240 VAC, 50 Hz, Class I
L-801A1126	220-240 VAC, 60 Hz, Class I
L-801A1216	120 VAC, 60 Hz, Class II
L-801A1225	220-240 VAC, 50 Hz, Class II
L-801A1226	220-240 VAC, 60 Hz, Class II

NOTE: 220-240 VAC must be single wire with neutral

## Options

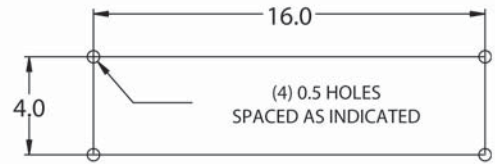
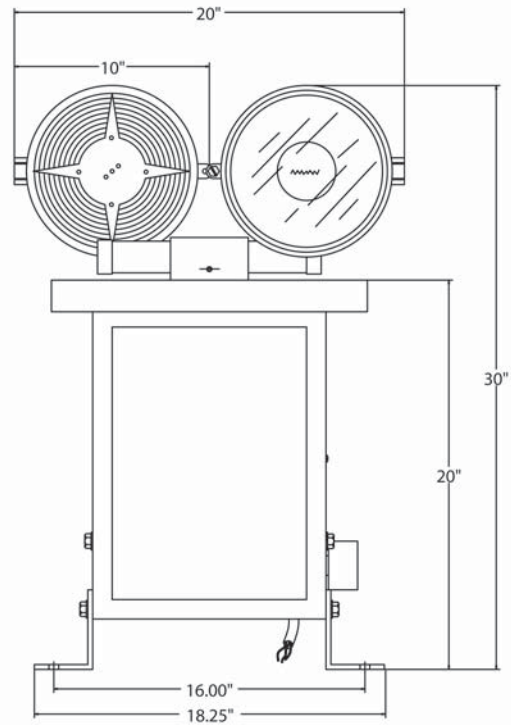
Part Number	Description
L-801/802 T/T HBM 120	Tell-tale Relay, 120 VAC
L-801/802 T/T HBM 240	Tell-tale Relay, 220-240 VAC
4200-0000	Tower Mounting Kit
4200-0002	REA Pole Mounting Kit

## Replacement Parts

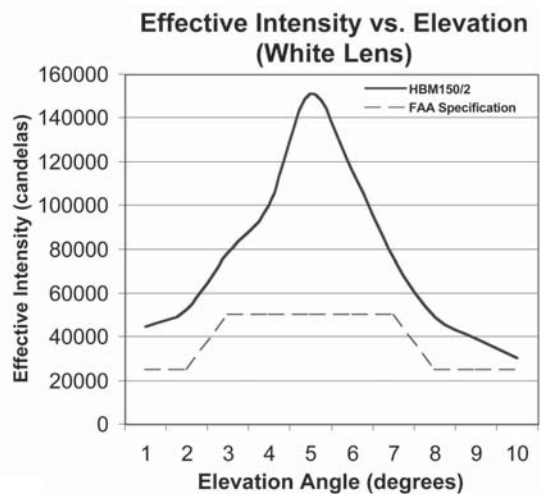
Part Number	Description
0200-0024	Ballast Assy 50 Hz
0200-0023	Ballast Assy 60 Hz
0600-0003	Belt
2300-0002	Motor Fuse, 1/2 amp
2300-0010	Lamp Fuse, 6.25 amp
3400-0125	Lamp, 150 watt pulse-start
2800-0006	Lens, Clear
2800-0043	Lens, Green
2800-0025	Lens, Amber
1500-0011	Lens Clip

## Shipping Information

Unpacked Weight: 75 pounds  
 USA Shipping Weight: 150 pounds  
 USA Shipping Volume: 48" x 42" x 25"  
 International Shipping Weight: 90 pounds  
 International Shipping Volume: 40" x 22" x 25"



Mounting Bolt Pattern



# HBM 400PS L-802A Airport Rotating Beacon

Compliant with Standards:

FAA: L-802A AC 150/5345-12 (Current Edition)

ICAO: Annex 14, para 5.3.3

***This Hali-Brite beacon is designed for night operation as an identification and location marker for airports.***



## Benefits

- Patented belt-drive system eliminates the lubrication maintenance required by conventional gear-drive beacons (U.S. Pat. 5,339,224)
- Patented liquid-filled lamp connector, eliminating the slip rings and brushes found on conventional beacons (U.S. Pat. 5,816,678)
- Two 40,000 lumen, 400 watt pulse-start metal-halide lamps
- Pulse-start lamps are fully bright in 3-5 minutes
- 15,000 hour typical lamp life (2-3 years)
- One clear lens, one aviation green lens
- No maintenance except lamp replacement
- All moving parts are permanently lubricated
- Thermally-protected motor eliminates burnouts
- Lamps preset 5° above horizontal, adjustable
- 12 RPM rotation, 24 flashes/minute
- Weatherproof steel cabinet, powder coated international orange
- Class I temperature range: -30 to +55 °C (-22 to +131 °F)
- Class II temperature range: -55 to +55 °C (-67 to +131 °F)
- Tested to wind velocities of 100 mph
- Optional photocell and/or tell-tale relay
- Mountable on a Hali-Brite Tipdown Pole
- Power Consumption: 965W Class I, 1365W Class II
- Military version available
- Manufactured in the USA



Beacon Tipdown Pole

## Ordering Information

Part Number	Description
L-802A6116	120 VAC, 60 Hz, Class I
L-802A6125	220-240 VAC, 50 Hz, Class I
L-802A6126	220-240 VAC, 60 Hz, Class I
L-802A6216	120 VAC, 60 Hz, Class II
L-802A6225	220-240 VAC, 50 Hz, Class II
L-802A6226	220-240 VAC, 60 Hz, Class II

NOTE: 220-240 VAC must be single wire with neutral

## Options

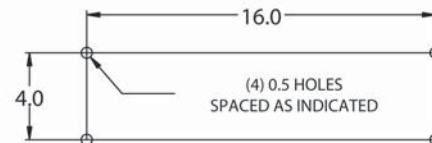
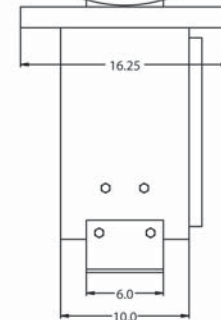
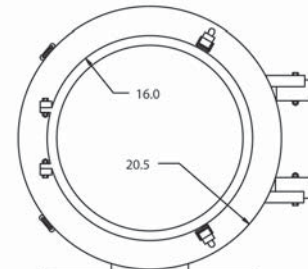
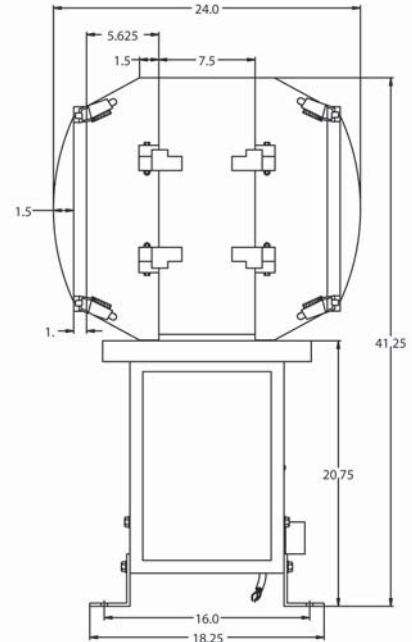
Part Number	Description
L-801/802 T/T HBM 120	Tell-tale Relay, 120 VAC
L-801/802 T/T HBM 240	Tell-tale Relay, 220-240 VAC
4200-0000	Tower Mounting Kit
4200-0002	REA Pole Mounting Kit

## Replacement Parts

Part Number	Description
0200-0013	Ballast, 60 Hz
0200-0016	Ballast, 50 Hz
0600-0003	Belt
2300-0003	Lamp Fuse, 10 amp
2300-0002	Motor Fuse, 1/2 amp
3400-0400/H75/PS	Lamp, 400 watt
2800-0035	Lens, Clear
2800-0044	Lens, Green
0100-0253	Lens Clip

## Shipping Information

Unpacked Weight: 150 pounds  
 USA Shipping Weight: 250 pounds  
 USA Shipping Volume: 48"x42"x32"  
 International Shipping  
 Weight: 200 pounds  
 International Shipping  
 Volume: 48"x40"x32"



Mounting Bolt Pattern



Airport Lighting Company · 104 Fairgrounds Drive · Manlius, NY 13104  
 (315) 682-6460 · Fax (315) 682-6469 · [airportlightingcompany.com](http://airportlightingcompany.com)

# HBM 175/3 L-801H and L-802H Heliport Rotating Beacons

Compliant with Standards:

FAA: L-801H AC 150/5345-12 (Current Edition)

FAA: L-802H AC 150/5345-12 (Current Edition)

ICAO: Annex 14, para 5.3.3



***These Hali-Brite beacons are designed for night operation as identification and location markers for heliports.***

## Benefits

- Patented belt-drive system eliminates the lubrication maintenance required by conventional gear-drive beacons (U.S. Pat. 5,339,224)
- Patented liquid-filled lamp connector, eliminating the slip rings and brushes found on conventional beacons (U.S. Pat. 5,816,678)
- Three 12,600 lumen, 175 watt metal-halide lamps
- 7,500 hour typical lamp life (1-2 years)
- One clear, one aviation green, and one yellow lens
- Available in Hospital Heliport version (not FAA certifiable)
- No maintenance except lamp replacement
- All moving parts are permanently lubricated
- Impedance-protected motor eliminates burnouts
- Lamps preset 5° above horizontal, adjustable
- 12 RPM rotation, 36 flashes/minute
- Weatherproof steel cabinet, powder coated international orange
- Class I temperature range: -30 to +55 °C (-22 to +131 °F)
- Class II temperature range: -55 to +55 °C (-67 to +131 °F)
- Tested to wind velocities of 100 mph
- Optional photocell and/or tell-tale relay
- Mountable on a Hali-Brite Tipdown Pole
- Military version available
- Power Consumption: 655W Class I, 1055W Class II
- Manufactured in the USA



Beacon Tipdown Pole

## Ordering Information

Part Number	Description
L-801H3116	120 VAC, 60 Hz, Class I
L-801H3116H	120 VAC, 60 Hz, Class I, Hospital Heliport
L-801H3125	220-240 VAC, 50 Hz, Class I
L-801H3125H	220-240 VAC, 50 Hz, Class I, Hospital Heliport
L-801H3126	220-240 VAC, 60 Hz, Class I
L-801H3126H	220-240 VAC, 60 Hz, Class I, Hospital Heliport
L-801H3216	120 VAC, 60 Hz, Class II
L-801H3216H	120 VAC, 60 Hz, Class II, Hospital Heliport
L-801H3225	220-240 VAC, 50 Hz, Class II
L-801H3225H	220-240 VAC, 50 Hz, Class II, Hospital Heliport
L-801H3226	220-240 VAC, 60 Hz, Class II
L-801HS3226H	220-240 VAC, 60 Hz, Class II, Hospital Heliport

NOTE: (1) Specify L802 in part number for L802 version (2) 220-240 VAC is single wire with neutral

## Options

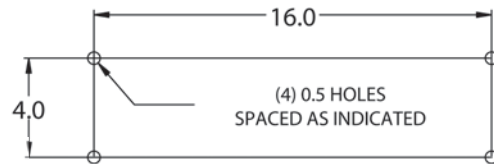
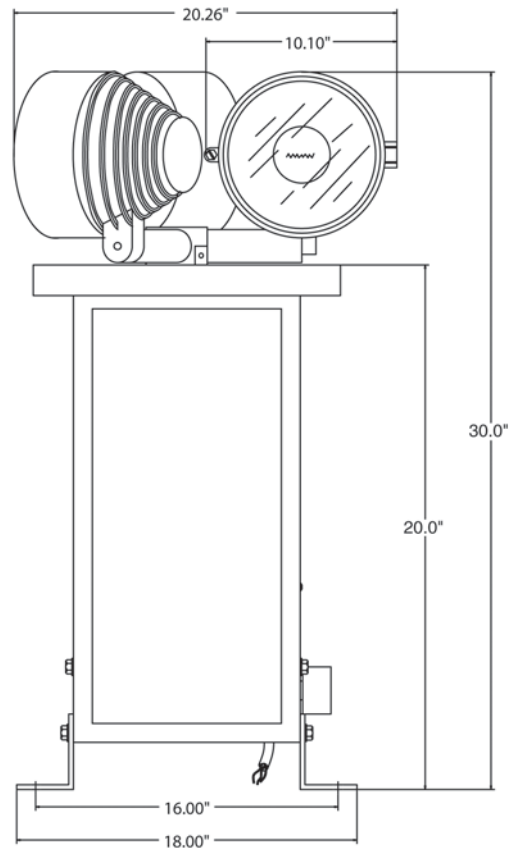
Part Number	Description
L-801/802 T/T HBM 120	Tell-tale Relay, 120 VAC
L-801/802 T/T HBM 240	Tell-tale Relay, 220-240 VAC
4200-0000	Tower Mounting Kit
4200-0002	REA Pole Mounting Kit

## Replacement Parts

Part Number	Description
0200-0002-3	Ballast Assy 50 Hz
0200-0001-3	Ballast Assy 60 Hz
0600-0003	Belt
2300-0002	Motor Fuse, 1/2 amp
2300-0012	Lamp Fuse, 8 amp
3400-0175U	Lamp, 175 watt
2800-0006	Lens, Clear
2800-0043	Lens, Green
2800-0025	Lens, Amber
2800-0010	Lens, Red
1500-0011	Lens Clip

## Shipping Information

Unpacked Weight: 90 pounds  
 USA Shipping Weight: 175 pounds  
 USA Shipping Volume: 48"x42"x25"  
 International Shipping  
 Weight: 110 pounds  
 International Shipping  
 Volume: 48"x42"x25"



Mounting Bolt Pattern



**Airport Lighting Company** · 104 Fairgrounds Drive · Manlius, NY 13104  
 (315) 682-6460 · Fax (315) 682-6469 · [airportlightingcompany.com](http://airportlightingcompany.com)