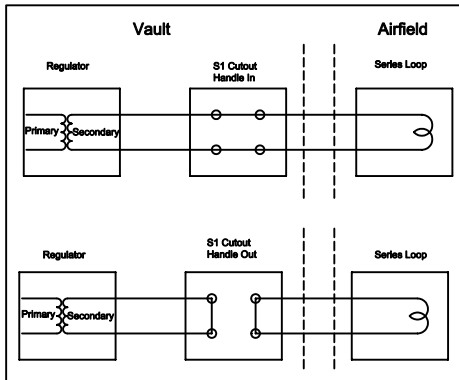


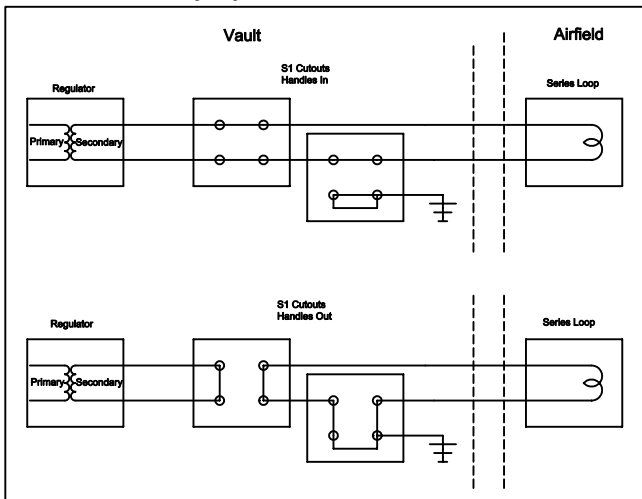
# S-1 Series Cutout

part number: S1

Standard wiring diagram



International Grounding Diagram



Suitable for 6.6 or 20 amp circuits.

Removable handle insures that circuit is de-energized.

Accepts up to size 6 awg wire.

