

L-802A HBM 400PS Airport Rotating Beacon



Beacon Tipdown Pole

Compliances

Certified to FAA L-802A AC 150/5345-12 (Current Edition) and ICAO Annex 14, para 5.3.3



Application

This Hali-Brite beacon is designed for night operation as an identification and location marker for airports

Key Features

- Patented belt-drive system eliminates the lubrication maintenance required by conventional gear-drive beacons (U.S. Pat. 5,339,224)
- Patented liquid-filled lamp connector, eliminating the slip rings and brushes found on conventional beacons (U.S. Pat. 5,816,678)
- Two 40,000 lumen, 400 watt pulse-start metal-halide lamps
- Pulse-start lamps are fully bright in 3-5 minutes
- 15,000 hour typical lamp life (2-3 years)
- One clear lens, one aviation green lens
- No maintenance except lamp replacement
- All moving parts are permanently lubricated
- Thermally-protected motor eliminates burnouts
- Lamps preset 5° above horizontal, adjustable
- 12 RPM rotation, 24 flashes/minute
- Weatherproof steel cabinet, powder coated international orange
- Class I temperature range: -30 to +55 °C (-22 to +131 °F)
- Class II temperature range: -55 to +55 °C (-67 to +131 °F)
- Tested to wind velocities of 100 mph
- Optional photocell and/or tell-tale relay
- Mountable on a Hali-Brite Tipdown Pole
- Power Consumption: 965W Class I, 1365W Class II
- Military version available
- Manufactured in the USA

Specifications

Ordering Information

Part Number	Description
L-802A6116	120 VAC, 60 Hz, Class I
L-802A6125	220-240 VAC, 50 Hz, Class I
L-802A6126	220-240 VAC, 60 Hz, Class I
L-802A6216	120 VAC, 60 Hz, Class II
L-802A6225	220-240 VAC, 50 Hz, Class II
L-802A6226	220-240 VAC, 60 Hz, Class II

Note: 220-240 VAC must be single wire with neutral

Options

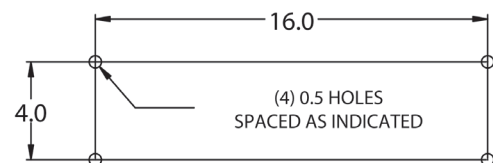
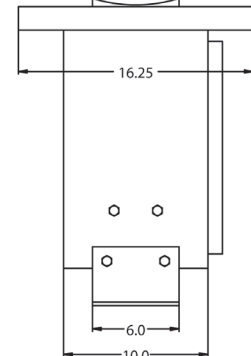
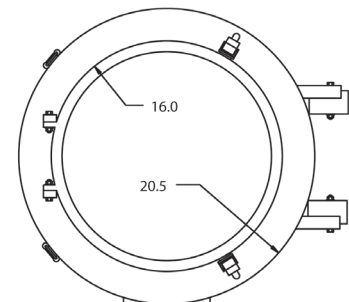
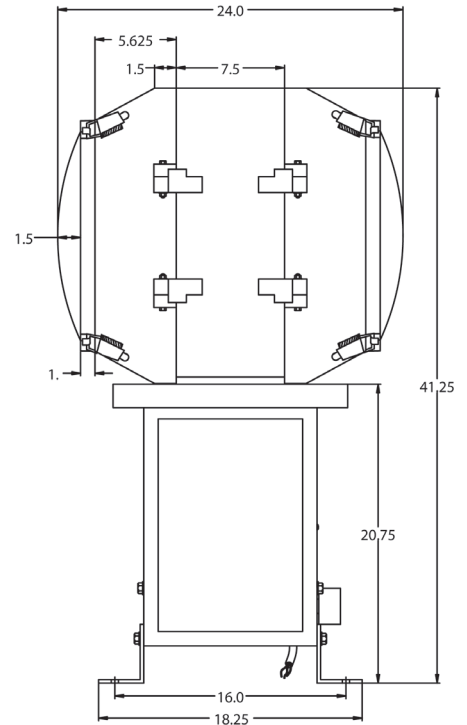
Part Number	Description
L-801/802 T/T HBM 120	Tell-tale Relay, 120 VAC
L-801/802 T/T HBM 240	Tell-tale Relay, 220-240 VAC
4200-0000	Tower Mounting Kit

Replacement Parts

Part Number	Description
0200-0021	Ballast, 60 Hz
0200-0022	Ballast, 50 Hz
0600-0003	Belt
2300-0003	Lamp Fuse, 10 amp
2300-0002	Motor Fuse, 1/2 amp
3400-0400/H75/PS	Lamp, 400 watt
2800-0035	Lens, Clear
2800-0044	Lens, Green
0100-3825	Lens Clip

Standard Options Available

- Unpacked Weight: 150 pounds
- USA Shipping Weight: 250 pounds
- USA Shipping Volume: 48"x42"x32"
- International Shipping Weight: 200 pounds
- International Shipping Volume: 48"x40"x32"



Mounting Bolt Pattern