

# L-830 Isolation Transformers



## Compliances

Certified to FAA AC 150/5345-47 (Current Edition)



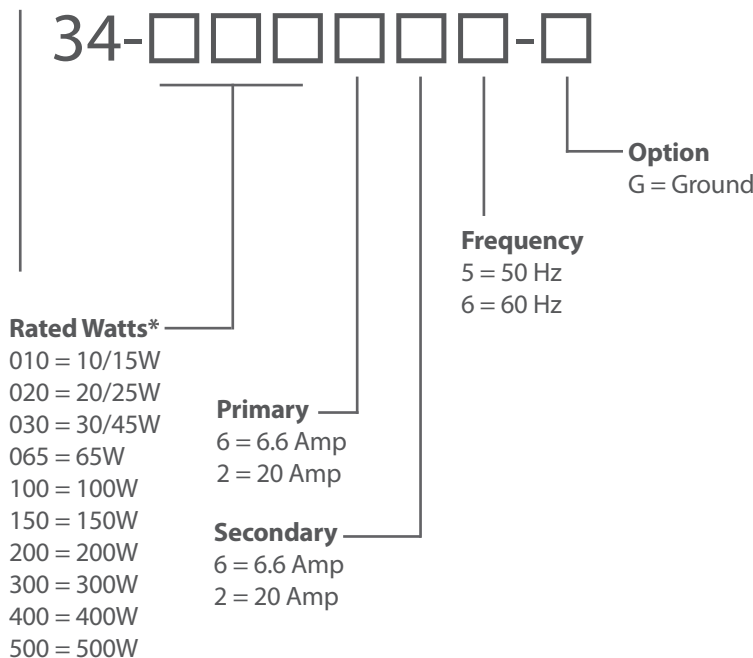
## Application

L-830 / L-831 FAA Approved Series Isolation Transformers are used to isolate high operating voltage for constant current airfield lighting equipment in a series circuit. They are encapsulated and designed to operate efficiently while submerged in water.

## Key Features

- Manufactured by ABB or Integro
- Injection molding ensures low current leakage
- Flat response load curves guarantee constant lamp brilliancy and long life
- Primary and Secondary leads are factory molded
- Isolates fixtures from the high voltage series circuit

## General Catalog Numbers



\* Part numbers based on nominal wattage