

L-810 LED Night Vision Compatible Steady-Burning Red Obstruction Light



Compliances

ETL Certified L-810: FAA AC 150/5345-43J; EB-67D)
IP67 Certified
Certified FCC 47 CFR, Part 15:2020, §15.107 and §15.109, Class A
ICAO Annex 14, Low Intensity Obstacle Light, Type B
DGAC of Mexico
MIL-C-7989



Applications

Our Night Vision Compatible, omni-directional, red, steady-burning, LED obstruction light is designed for marking tall structures such as buildings, towers, masts, cranes, meteorological towers, chimneys and other hazards to aircraft. This energy-saving LED light is a direct replacement for incandescent fixtures, providing years of reliable and maintenance-free operation. Available in single, double, and retrofit configurations; optional solar drive package.

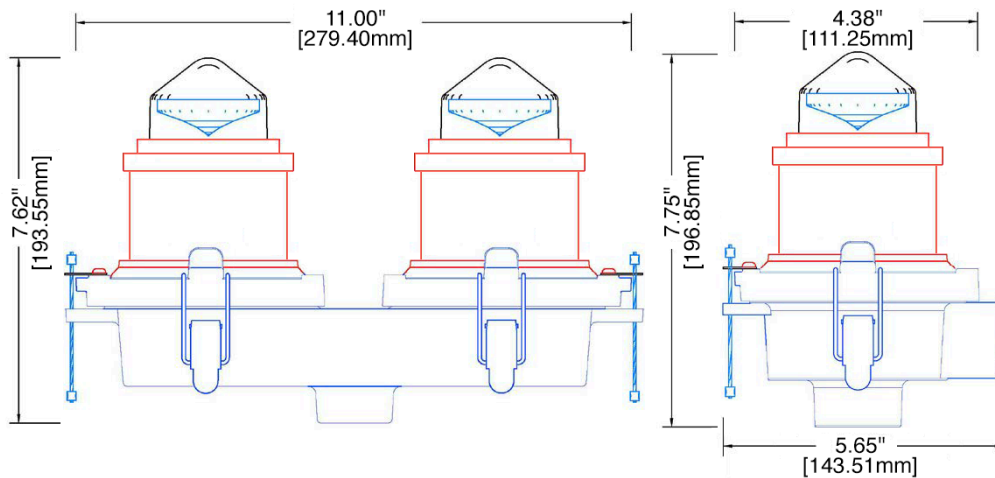
Key Features

- Direct replacement for existing incandescent light
- Lasts up to 10 times longer than an incandescent light
- Uses 96% less power than an incandescent light
- Night Vision Goggle & NVIS Compatible
- No regular maintenance
- Available in single and dual configurations with bottom or side conduit outlets
- Can be operated in steady-burning or flashing mode (controller not supplied)
- Photocell option for automatic activation at night
- Self-contained wiring compartment eliminates additional boxes
- Weather/corrosion resistant
- IP67 Ingress Protection rating for dust and water
- Lens made from durable, UV-stabilized LEXAN polycarbonate
- Resistant to shock and vibration
- Operates from -67°F to 131°F (-55°C to +55°C)
- 5 year warranty

Specifications

Specifications

- Construction: Machined aluminum
- Power Consumption: 3.4W (DC); 4W (AC)
- Power Source: 100-277 VAC, 12-48 VDC
- Intensity: 32.5 candelas
- Light Output Wavelength: Red 615 nm, Infrared (IR) 860 nm
- Dimensions: 5.65" dia. x 7.75" height (single)
- Weight: 3.2 lb. (single); 7 lb. (double)
- LED Estimated Lifetime: 70,000+ hours
- IP Rating: IP67
- Wind Loading: Effective Projected Area of the L-810 with single mounting base is 23.125 square-inches



Shipping Information

Single: 3.2 lb. (1.45 kg); Carton: 10" x 10" x 10"

Double: 7 lb. (3.17 kg); Carton: 15" x 15" x 10"

L-810 LED Ordering Codes

Fixture	Color	Power	Fixture Style	Mounting	Options
FL-810LNV	R: Red	AC: 100-277 VAC DC: 12-48 VDC	S: Single D: Double	BH: 3/4" & 1" Hub - Bottom 34S: 3/4" Hub - Side 10S: 1" Hub - Side FF: Floor Flange LSM: Low Surface Mount ¹ PM: 2" Pole Mount	P: Photocell T: Transfer Relay ² MT: Marine Treated

¹ For single option only. ² For 120/240VAC applications only.