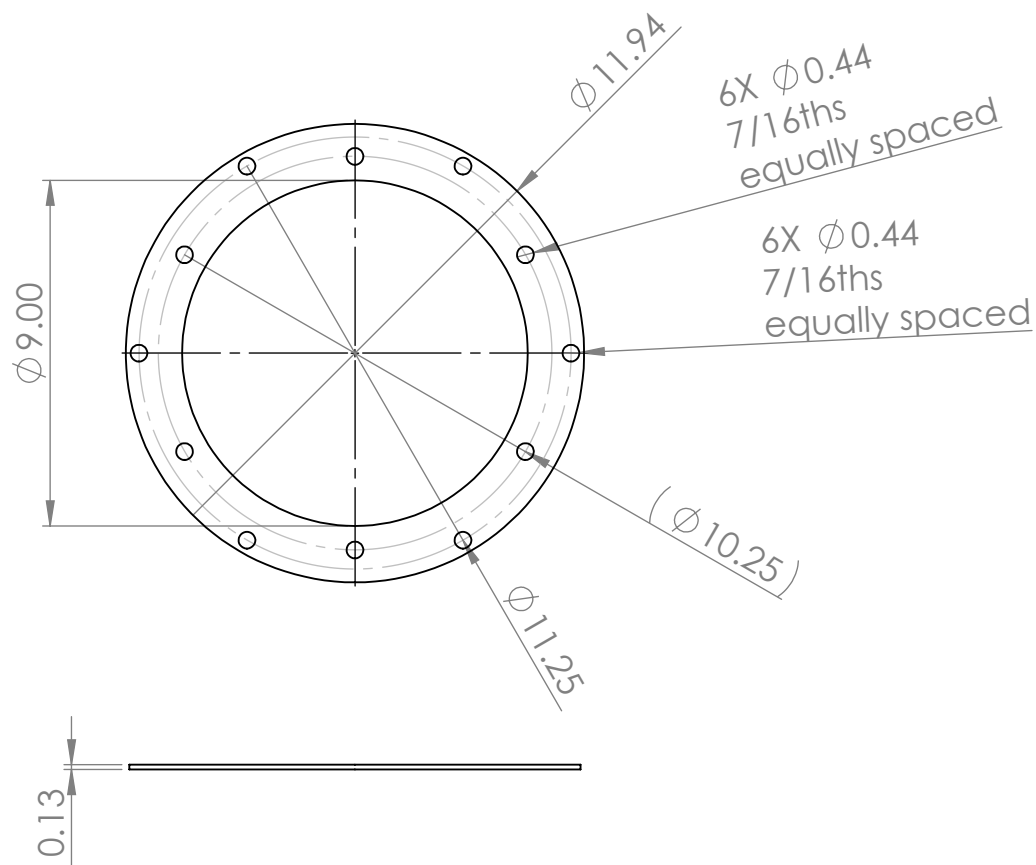


B

A



PROPRIETARY AND CONFIDENTIAL
 THE INFORMATION CONTAINED IN THIS DRAWING IS THE SOLE PROPERTY OF Airport Lighting Company. ANY REPRODUCTION IN PART OR AS A WHOLE WITHOUT THE WRITTEN PERMISSION OF Airport Lighting Company IS PROHIBITED.

		UNLESS OTHERWISE SPECIFIED:		NAME	DATE
		DIMENSIONS ARE IN INCHES	DRAWN	J Shaw	10/22/18
		TOLERANCES:	CHECKED	J Ellerton	10/22/18
		FRACTIONAL \pm	ENG APPR.		
		ANGULAR: MACH \pm BEND \pm	MFG APPR.		
		TWO PLACE DECIMAL ± 0.02	Q.A.		
		THREE PLACE DECIMAL ± 0.005	COMMENTS:		
		INTERPRET GEOMETRIC TOLERANCING PER:			
		MATERIAL			
		Neoprene Durometer 55			
		FINISH			
NEXT ASSY	USED ON				
APPLICATION		DO NOT SCALE DRAWING			

Airport Lighting Company		
TITLE:		
Gasket 64		
SIZE	DWG. NO.	REV
A	Gasket 64	
SCALE: 1:5	WEIGHT:	SHEET 1 OF 1

2

1

2

1